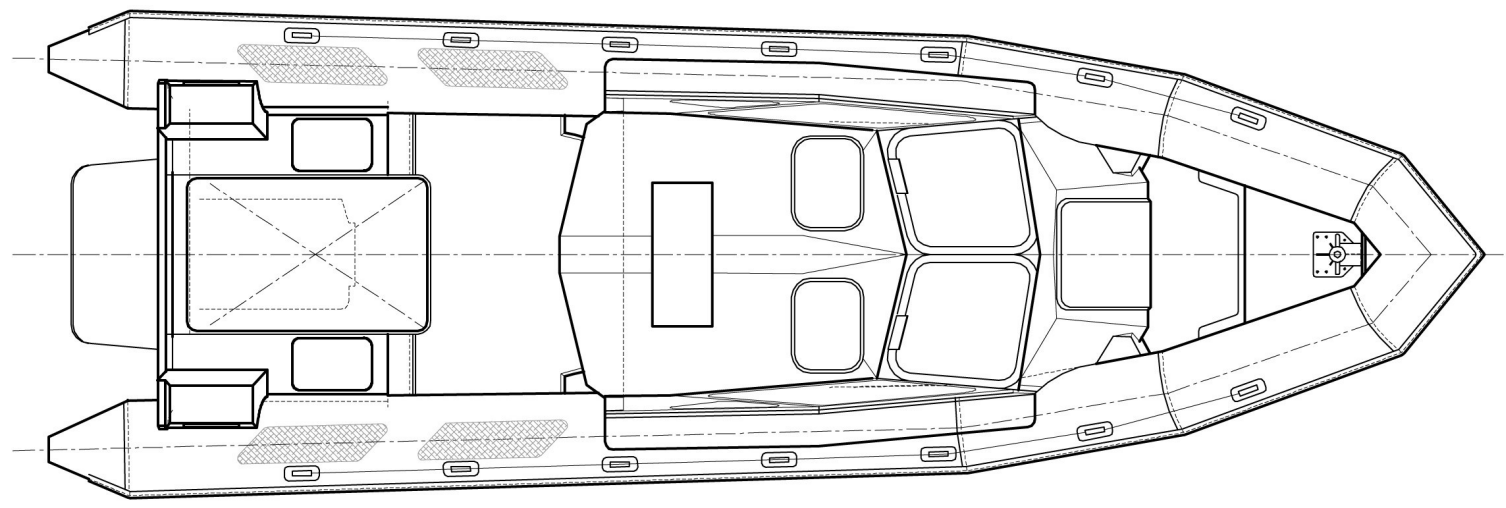
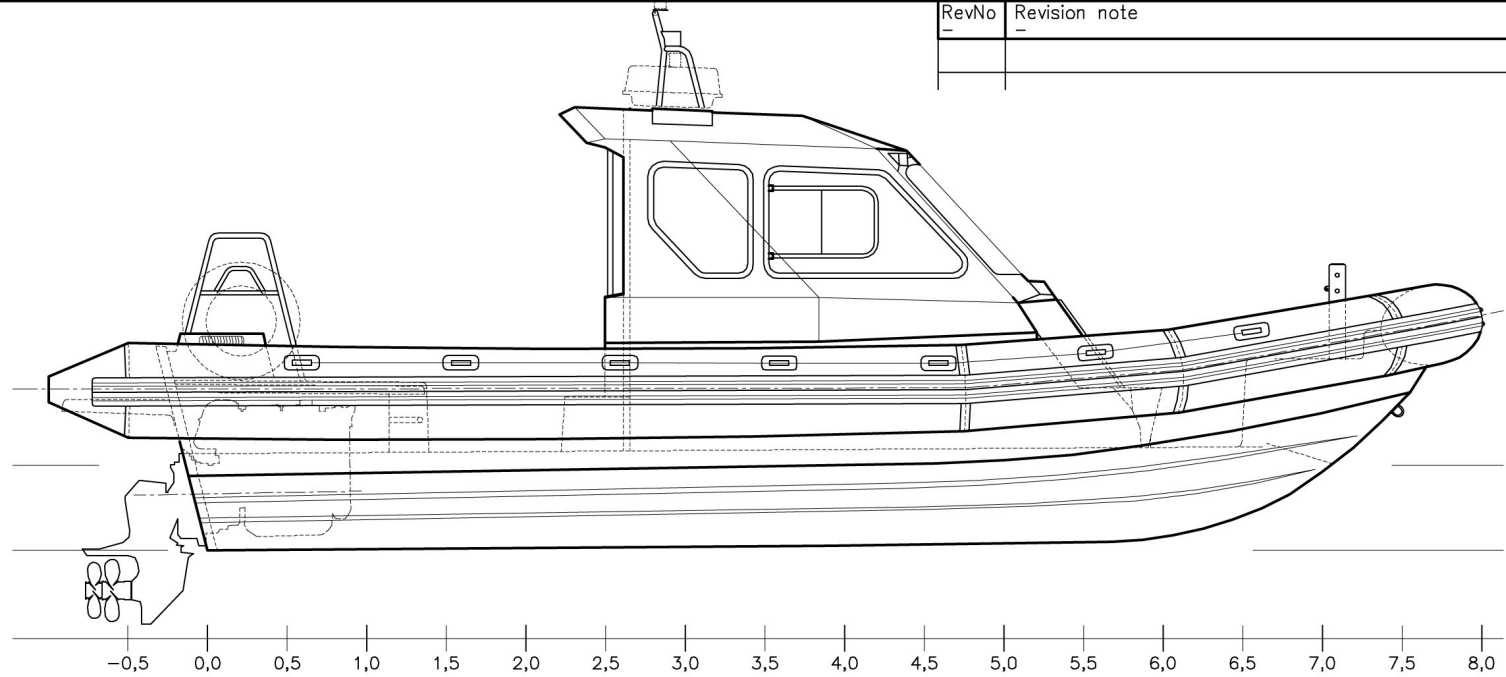


RevNo	Revision note	Date	Signature	Checked



LENGTH OVERALL/	-9,00	(m)	BOAT WEIGHT w/o eng./	-1,90	(t)
RIGID HULL LENGTH/	-8,05	(m)	STANDARD ENGINE:		(HP)
BEAM OVERALL/	-3,04	(m)	MAX POWER/		(HP)
DESIGNED DRAFT/	-0,65	(m)	DESIGNED SPEED/		(kn)
DESIGNED DISPLACEMENT/	-4,35	(m ³)	MAX PERSONS/	-2+8	(pers.)
CHAMBER DIAMETER/	-0,54	(m)	CREW/	-2	(pers.)

Date/Data	Sheet/Ark.	Designed/Konstruował	Checked/Sprawdził	Approved/Zatwierdził
	1/1			
File/ Plik	Title/Nazwa			
	General plan			
	Plan ogólny			
Scale/Podziałka	Drawing number/Rysunek numer	App./Dot.		
na	TM-21.04.0			

This drawing specifications is our property for which we reserve all rights, including those relating to patents or registered designs. It must not be reproduced or used otherwise or made available to any third party without our prior permission in writing.

All datas, dimensions and specifications can be changed without any notice.

